

PNP型 小功率 贴片三极管 PNP High Voltage Transistor SMD	
<ul style="list-style-type: none"> <li>■ Transistor Polarity: PNP</li> <li>■ Transistor pinout: BEC</li> <li>■ SOT-23 Package</li> <li>■ Marking Code: 2TY</li> <li>■ hFE: 100~200, 200~300</li> <li>■ Ideal for Medium Power Amplification and Switching</li> </ul>	S8550 对应其他工业型号

<p>Inner circuit</p>  <p>SOT-23 内部结构</p>	<p>S8550B</p>  <p>1. Base 2. Emitter 3. Collector</p> <p>SOT-23 管脚排列</p>	<p>元件标识 (打印)</p>  <p>DEVICE MARKING:</p>
--	--	--

■ CLASSIFICATION OF hFE

RANK	L	H
RANGE	100~200	200~300

■ MAXIMUM RATINGS

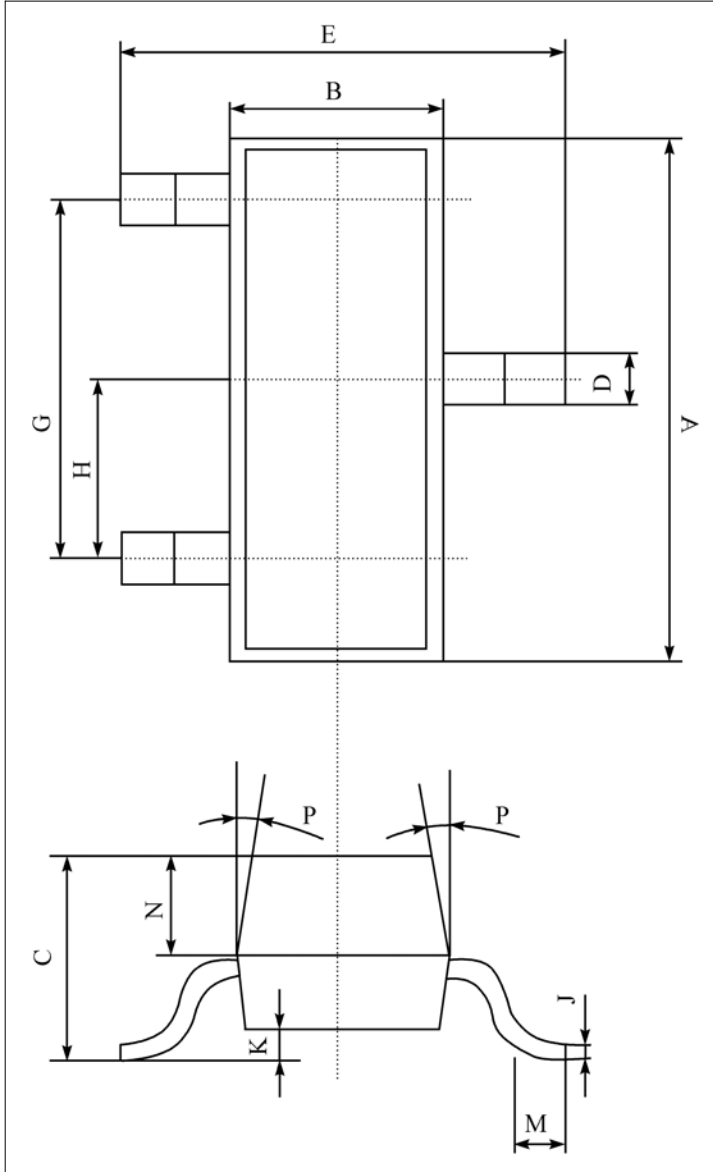
Parameter	Symbol	Value	Unit
Collector-Base Voltage	$V_{CB0}$	-40	V
Collector-Emitter Voltage	$V_{CE0}$	-25	V
Emitter-Base Voltage	$V_{EB0}$	-6	V
Collector Current	$I_c$	-350	mA
Collector Power Dissipation	$P_c$	300	mW
Operation Junction and Storage Temperature Range	$T_J, T_{stg}$	-55~+150	°C

**■ ELECTRICAL CHARACTERISTICS ( $T_A=25^\circ\text{C}$  unless otherwise noted)**

Parameter	Symbol	Test conditions	Min	Max	Unit
<b>Collector-base breakdown voltage</b>	$V_{(BR)CBO}$	$I_C = -100\mu\text{A}, I_E=0$	-40		V
<b>Collector-emitter breakdown voltage</b>	$V_{(BR)CEO}$	$I_B = -1\text{mA}, I_E=0$	-25		V
<b>Emitter-base breakdown voltage</b>	$V_{(BR)EBO}$	$I_E = -100\mu\text{A}, I_C=0$	-5		V
<b>Collector cut-off current</b>	$I_{CBO}$	$V_{CB} = -40\text{V}, I_E=0$		-0.1	$\mu\text{A}$
<b>Collector cut-off current</b>	$I_{CEO}$	$V_{CE} = -20\text{V}, I_B=0$		-0.1	$\mu\text{A}$
<b>Emitter cut-off current</b>	$I_{EBO}$	$V_{EB} = -3\text{V}, I_C=0$		-0.1	$\mu\text{A}$
<b>DC current gain</b>	$h_{FE(1)}$	$V_{CE} = -1\text{V}, I_C = -50\text{mA}$	120	400	
	$h_{FE(2)}$	$V_{CE} = -1\text{V}, I_C = -500\text{mA}$	50		
<b>Collector-emitter saturation voltage</b>	$V_{CE(sat)}$	$I_C = -350\text{mA}, I_B = -50\text{mA}$		-0.6	V
<b>Base-emitter saturation voltage</b>	$V_{BE(sat)}$	$I_C = -350\text{mA}, I_B = -50\text{mA}$		-1.2	V
<b>Transition frequency</b>	$f_T$	$V_{CE} = -6\text{V}, I_C = -20\text{mA}, f = 30\text{MHz}$	150		MHz

■ DIMENSION

单位 (UNIT) : mm

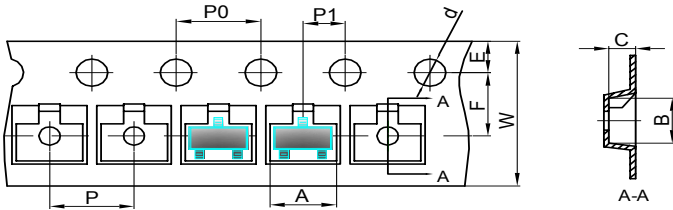


序号	数值及公差
A	$2.90 \pm 0.10$
B	$1.30 \pm 0.10$
C	$1.00 \pm 0.10$
D	$0.40 \pm 0.10$
E	$2.40 \pm 0.20$
G	$1.90 \pm 0.10$
H	$0.95 \pm 0.05$
J	$0.13 \pm 0.05$
K	$0.00 - 0.10$
M	$\geq 0.20$
N	$0.60 \pm 0.10$
P	$7 \pm 2^\circ$

Packing  
 SOT-23 包装规格  
 SMD片式表面贴封装  
 包装方式: 载带卷盘包装  
 Tape & Reel, 3Kpcs/Reel  
 每卷数量3000只 (3Kpcs/Reel)  
 每盒数量45000只 (45Kpcs/BOX)  
 每箱数量180000只 (180Kpcs/Carbons)

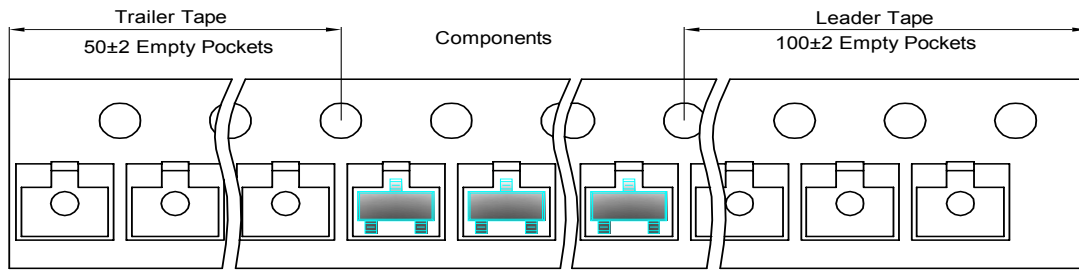
### SOT-23 Tape and reel

SOT-23 Embossed Carrier Tape

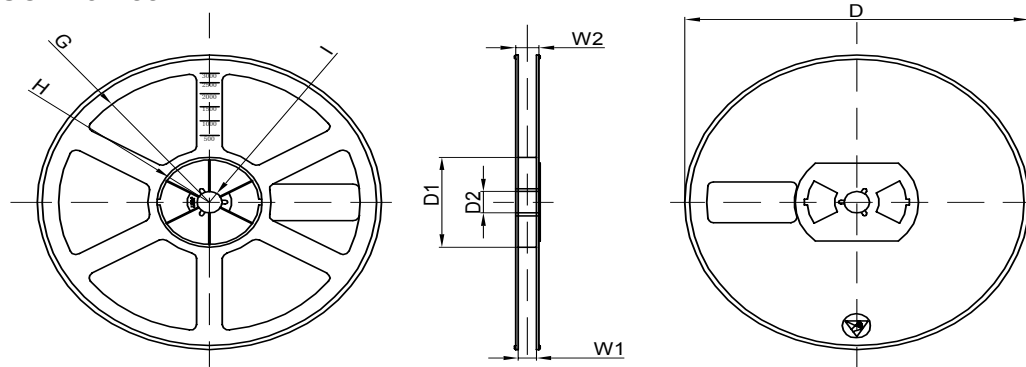


Dimensions are in millimeter										
Pkg type	A	B	C	d	E	F	P0	P	P1	W
SOT-23	3.15	2.77	1.22	Ø1.50	1.75	3.50	4.00	4.00	2.00	8.00

### SOT-23 Tape Leader and Trailer



### SOT-23 Reel



Dimensions are in millimeter								
Reel Option	D	D1	D2	G	H	I	W1	W2
7" Dia	Ø178.00	54.40	13.00	R78.00	R25.60	R6.50	9.50	12.30

REEL	Reel Size	Box	Box Size(mm)	Carton	Carton Size(mm)	G.W.(kg)
3000 pcs	7 inch	45,000 pcs	192×192×193	180,000 pcs	404×404×214	